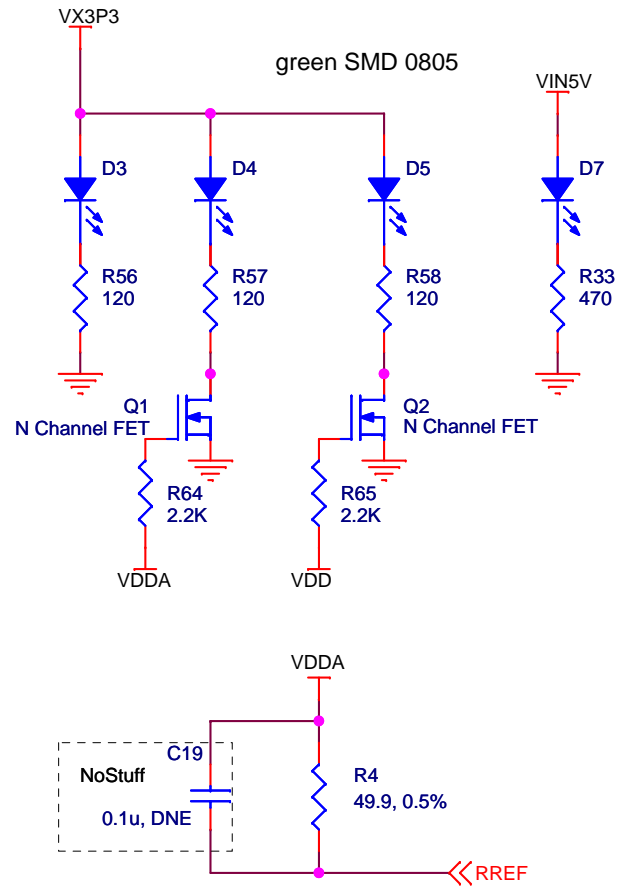
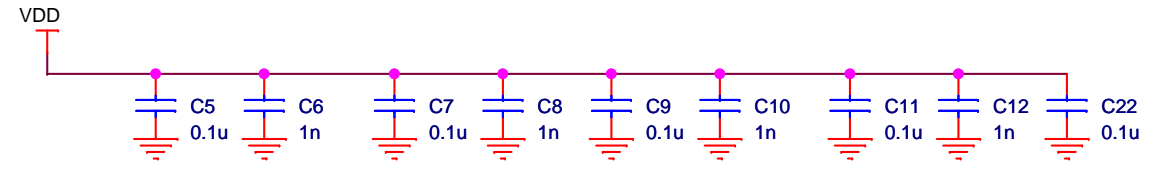
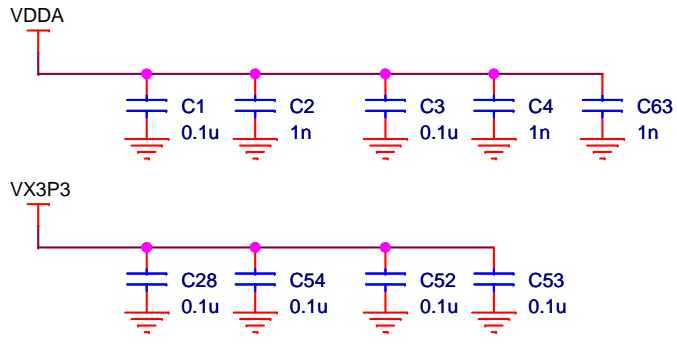
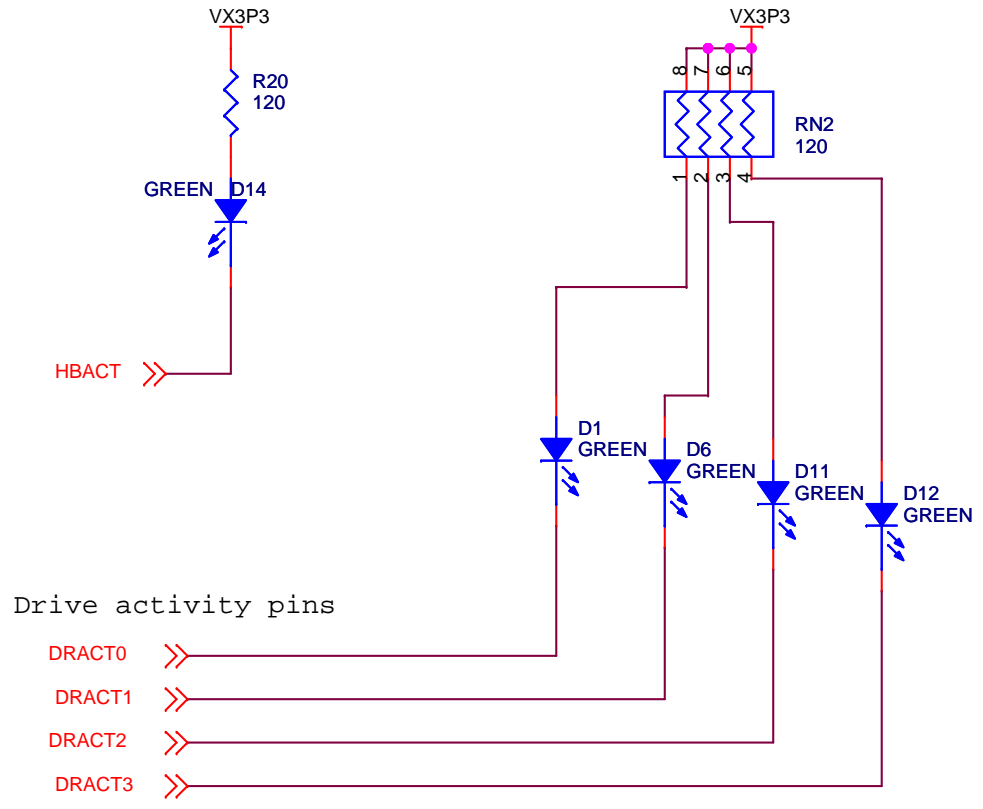


Exar Corp.		
Title EXSTOR 1 (XRS10L240) EVAL BOARD		
Size A	Document Number EXSTOR	Rev 2.0
Date:	Monday, January 14, 2008	Sheet 1 of 7

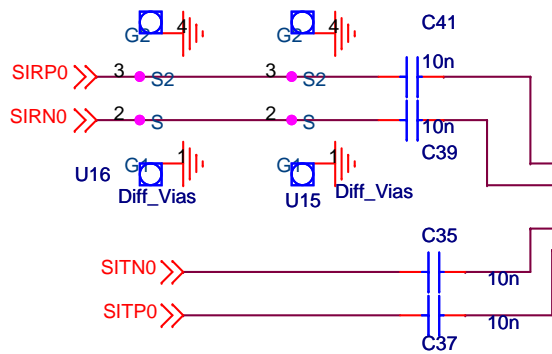


Note:
R4 is calibration resistor: 49.9 Ohm +/- 0.5%

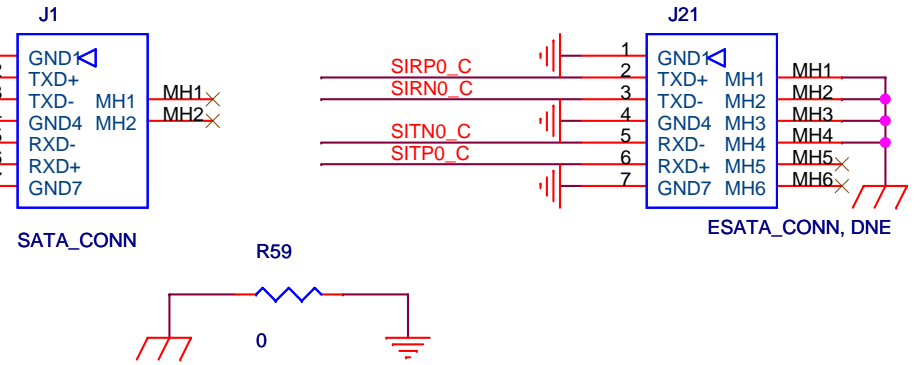


Exar Corp.		
Title EXSTOR 1 (XRS10L240) EVAL BOARD		
Size A	Document Number LEDs, bypass and external passive components	Rev 2.0
Date:	Monday, January 14, 2008	Sheet 2 of 7

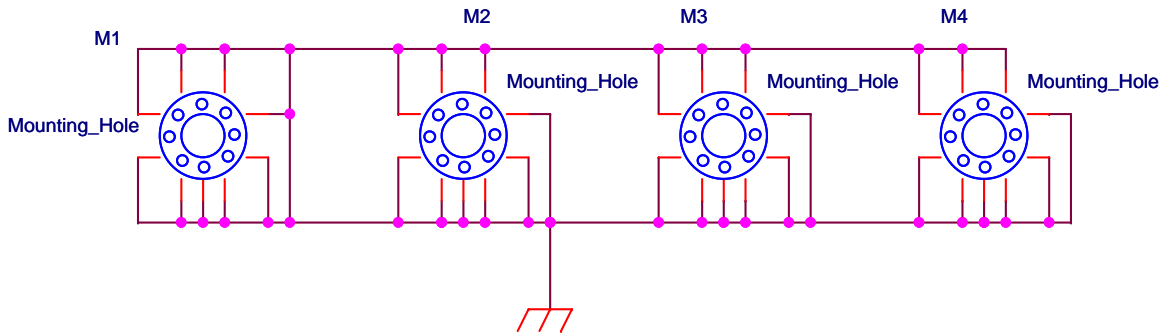
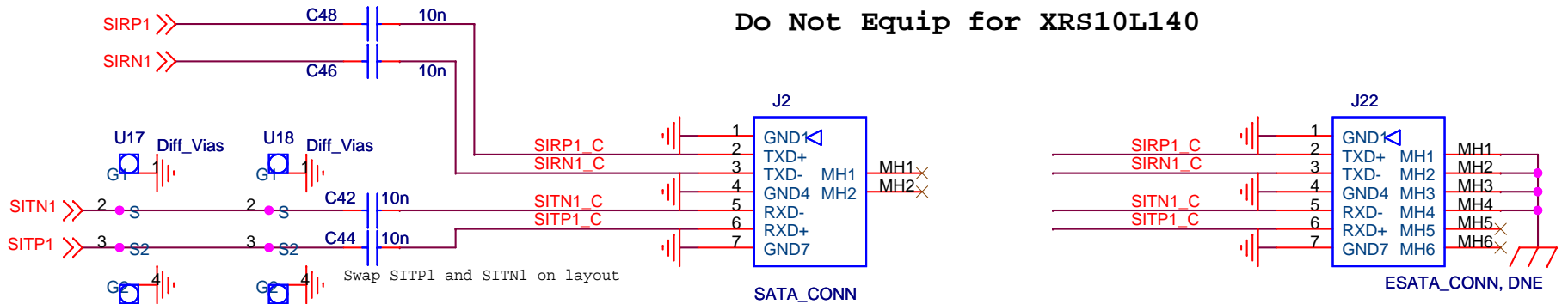
Swap SIRP0 and SIRN0 on layout



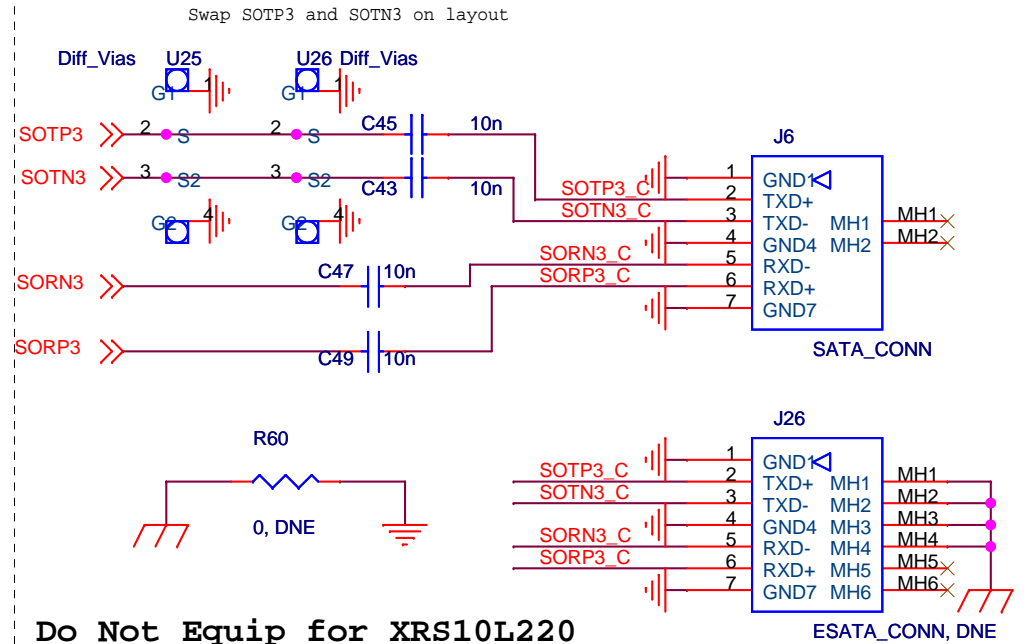
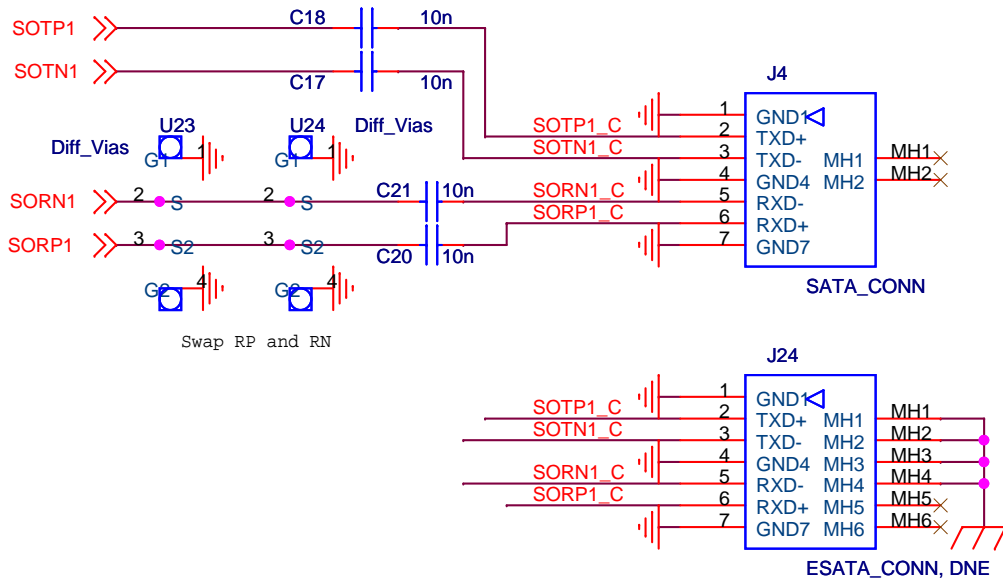
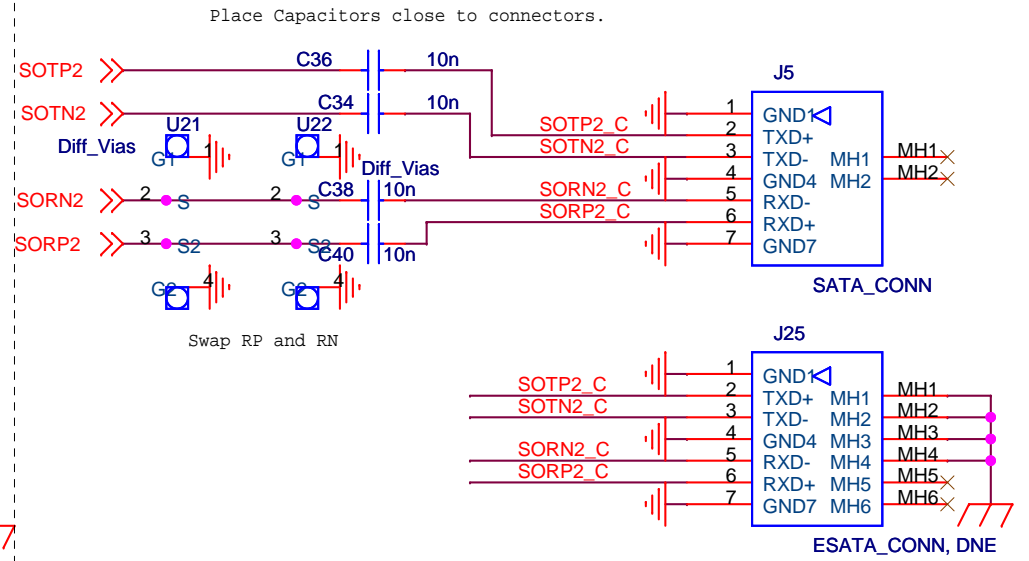
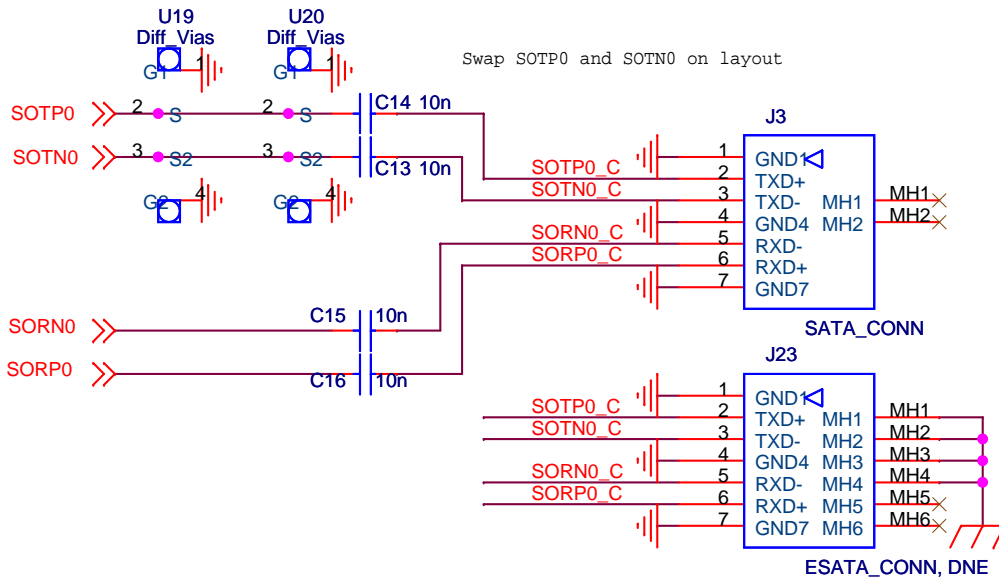
Double-Footprint for SATA/eSATA connectors



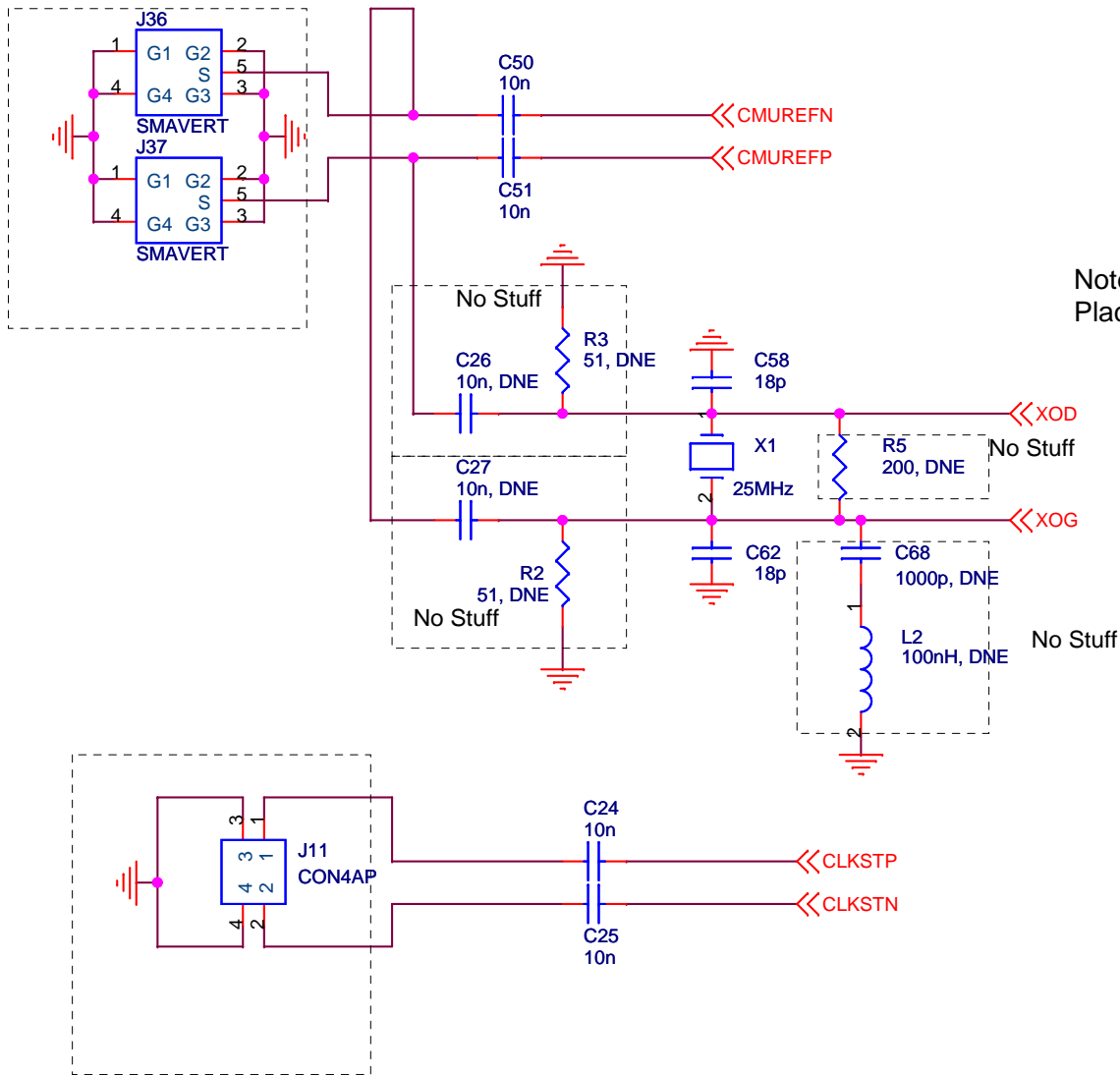
Do Not Equip for XRS10L140



Exar Corp.		
Title EXSTOR 1 (XRS10L240) EVAL BOARD		
Size A	Document Number Host connectors	Rev 2.0
Date:	Monday, January 14, 2008	Sheet 4 of 7

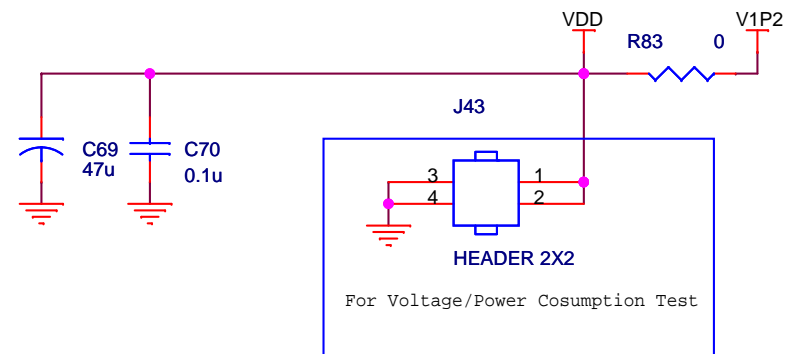
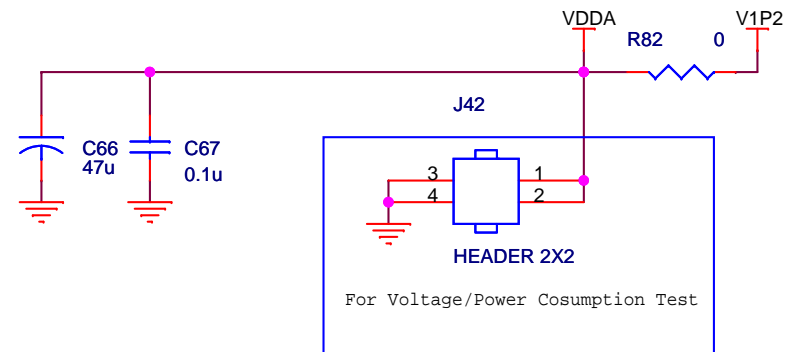
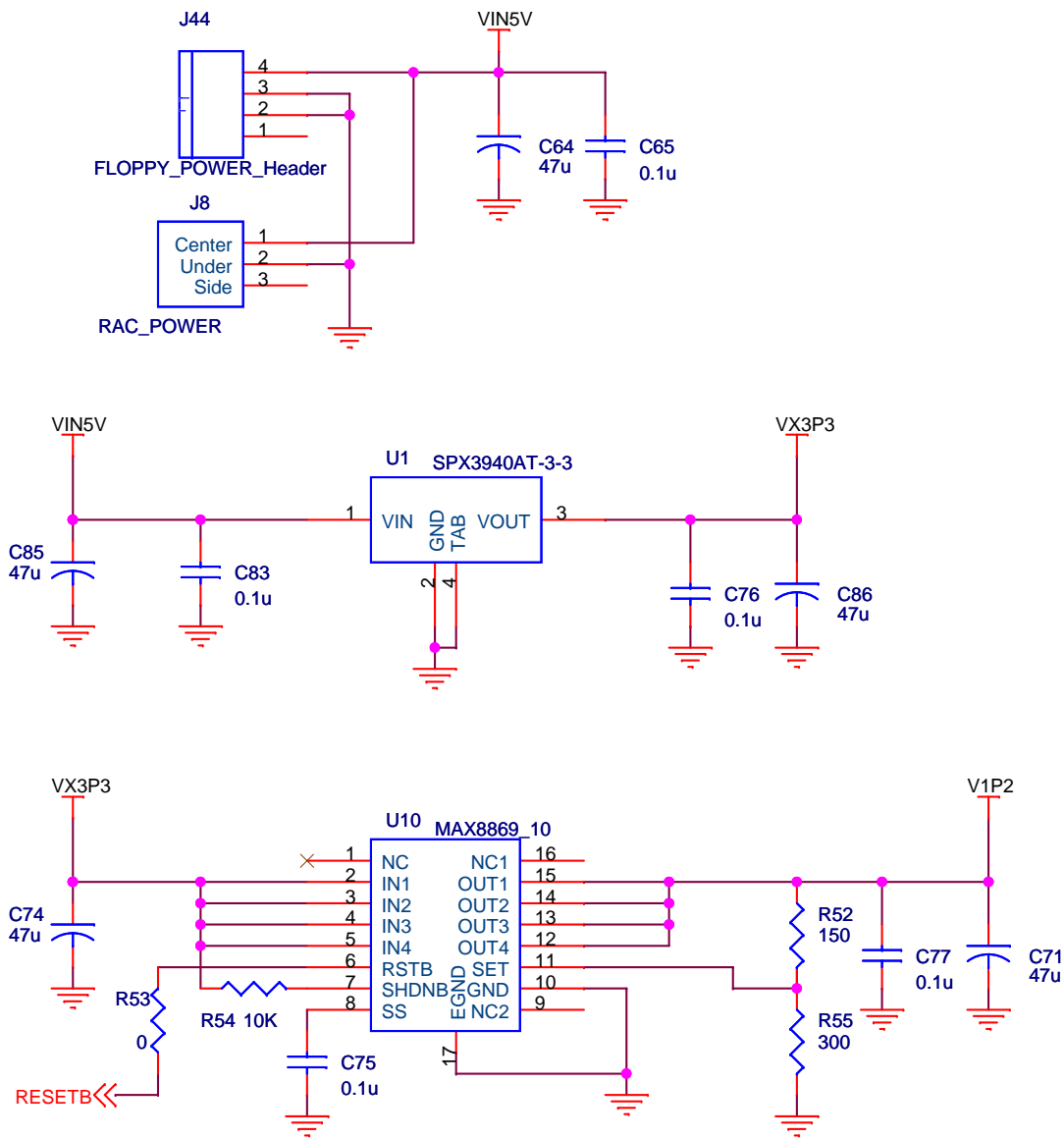


Title		
EXSTOR 1 (XRS10L240) EVAL BOARD		
Size	Document Number	Rev
A	SMA Device connectors	2.0
Date:	Monday, January 14, 2008	Sheet 5 of 7



Note:
Place capacitors C58 and C62 as close to crystal as possible

Exar Corp.		
Title EXSTOR 1 (XRS10L240) EVAL BOARD		
Size A	Document Number reference clocks	Rev 2.0
Date:	Monday, January 14, 2008	Sheet 6 of 7



Exar Corp.		
Title EXSTOR 1 (XRS10L240) EVAL BOARD		
Size A	Document Number power connectors and regulators	Rev 2.0
Date:	Monday, January 14, 2008	Sheet 7 of 7